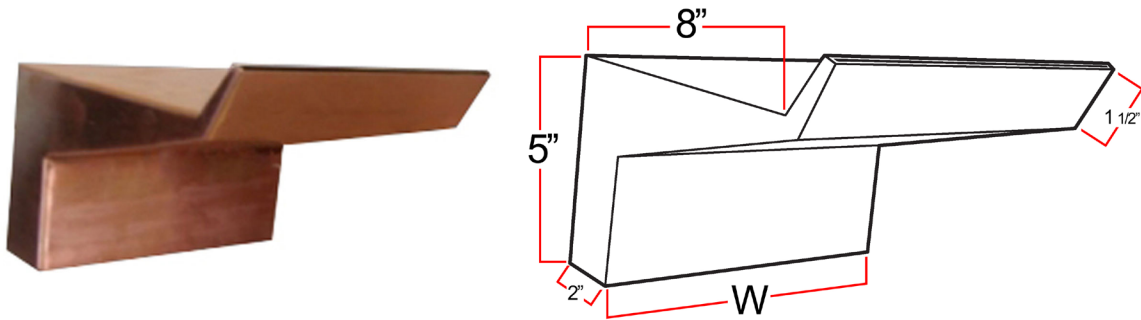




## Arch Flow Scupper Manual



### INSTALLATION

- › Make sure you have a scupper cavity that is 3/16" bigger than that of your scupper size in the width and height aspects.
- › The handmade nature of the scupper might mean you have to adjust your measurements accordingly.
- › Position the scupper into the scupper cavity according to the desired scupper overhang. TOP recommends that you have a minimum of 2" of scupper wall/manifold inside of the scupper cavity.
- › Make sure you ground your scupper with our grounding lug located in back of your scupper by connecting copper wire to the ground.
- › Use a strong adhesive to hold down the scupper to the desired location.
- › The inlet is 1.5" wide located in behind the scupper. Connect your PVC piping to the scupper inlet. PVC piping and water should use 10-12 GPM per linear foot of the scupper's width. Increase GPMs to desired arch flow for further protrusions.
- › Install a water ball valve on each scupper if you would like to adjust water output.

### CARE

If scupper starts to become loose at any point repair with the adhesive and lock back into place.

### WARRANTY

1 Year Limited Warranty - For Manufacturer Defects.